



## RL601 CONVERSION MODULE

Heat/Off/Cool to 0/5/10 VDC

### DESCRIPTION

- Digital ON-OFF signal to Analog Conversion module
- Module to allow usage of Smart Thermostat to control analog 6 port valve.
- Converts HEAT/OFF/COOL signal from a digital SMART thermostat to an analog voltage 10/5/0 Vdc.
- Output Mode: Reversible by switch.  
Heat = 0 or 10Vdc/  
Cool = 10Vdc or 0Vdc

Smart Thermostat  
to 6 Port Converter



### SPECIFICATIONS

**Operating Voltage:**

24Vac, 50/60Hz, +/- 20%

**Power Consumption:**

Maximum 3Va

**Control Output:**

0/5/10VDC, 5mA

**Connection Terminals:**

Use solid wire 22 AWG to 14 AWG

### TERMINOLOGY

**R:** 24 V AC Power

**C:** Common

**W:** Heat

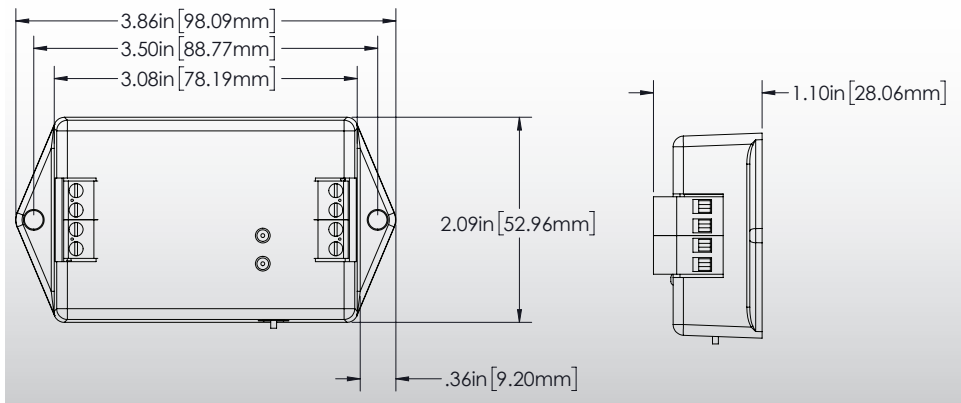
**Y:** Cool

**SIGNAL:** 0/5/10 V DC

**UP:** Switch up position

**DOWN:** Switch Down Position

### MOUNTING DIMENSIONS



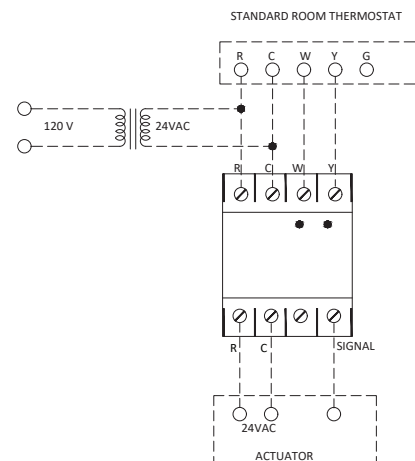
### VOLTAGE TABLE

TRUTH TABLE			
Input AC		Output DC	
W	Y	SIGNAL	
		SWITCH UP	SWITCH DOWN
0	0	5	5
24	0	0	10
0	24	10	0

HEAT/OFF/COOL – 10/5/0

COOL/OFF/HEAT – 10/5/0

### WIRING DIAGRAM



PATENT PENDING US 63423703