

**INDESTRUCTIBLE THERMOSTAT GUARDS**  
ATGL and ATGS

**FEATURES & OPTIONS**

- Prevents Tampering, Damage and Unauthorized Adjustment
- Exceptional Airflow for Proper Thermostat Operation
- Made from Thick, Durable Polycarbonate
- Key Lock Protected
- Low Profile, Compact Design
- Two Sizes to Fit Most Thermostats
- Horizontal or Vertical Mounting with Hardware Included

The Spartan Guard prevents tampering, physical damage and unauthorised adjustment of thermostats. The attractive, low-profile design is available in two sizes to fit most thermostats. It is made of thick, durable polycarbonate and features exceptional airflow, key lock protection, horizontal or vertical mounting and easy installation with hardware included.



*ATGL Guard mounted over a Thermostat*

**SPECIFICATIONS**

**Material:** Polycarbonate

**Material Rating:** UL 94, V-0

**PART NUMBERS**

- ATGL** ..... Larger Guard Thermostat Guard  
**ATGS** ..... Smaller Guard Thermostat Guard  
**ATK1687** ..... Replacement Key for ATGL and ATGS

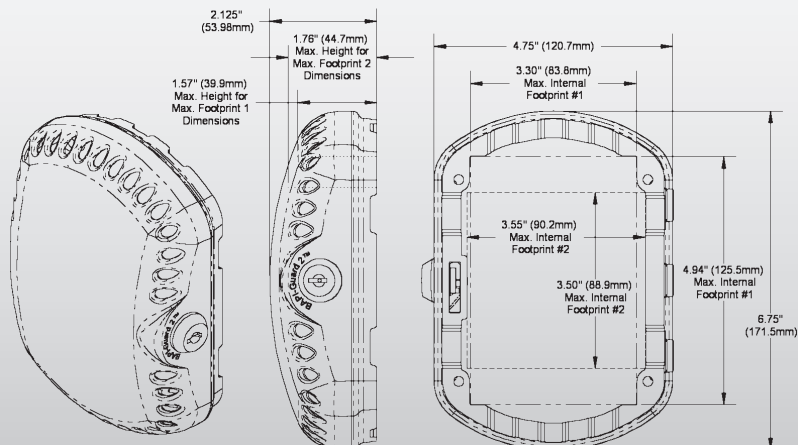
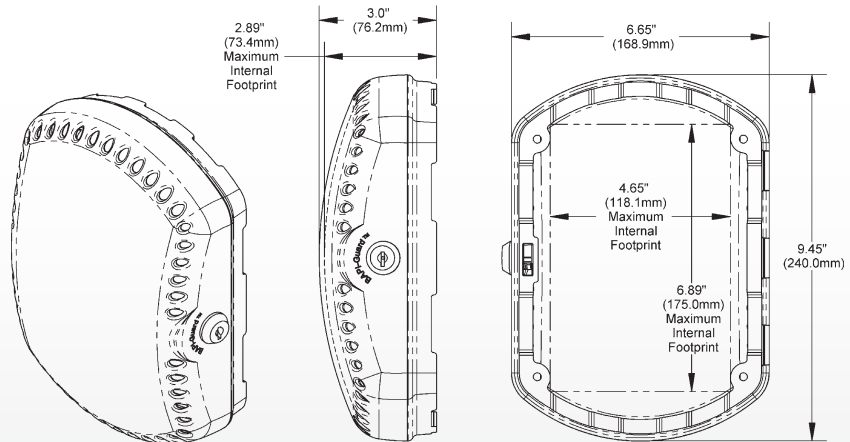
**ATGL guard fits these common thermostats**

All Spartan  
 Honeywell T7300, T7350, T7560,  
 T7770 and T7790 Series  
 Johnson Controls Metastat  
 these common thermostats

**ATGS guard fits these common thermostats**

Delta Style Enclosure  
 Powers & PreCon  
 Automated Logic RS Series  
 York Zone Sensor  
 Invensys MN series

If you have a question about whether the ATGS Guard or ATGL Guard will fit a specific thermostat, please call Spartan



**1076-1-1-01**