

TE110 ON/OFF LCD ELECTRONIC THERMOSTAT 24Vac

DESCRIPTION

Two position On/Off electronic room thermostat with digital display and digital key set point.

Suitable for controlling heating or cooling valves, fans or other two position devices to maintain an accurate room temperature. Selectable Celsius or Fahrenheit scale by jumper J1. External heating/cooling changeover thermostat or wire jumper can be connected to terminals 4 and 5 to select heating or cooling mode. Economy mode can be implemented by grounding terminal 6 or connecting a contact across terminal 6 and 7. The set point will increase or decrease by 4°C or 8°F. The hand icon will be displayed. Pressing the hand button for 3 seconds will override to a regular mode for a 2 hour period. Optional external 10K NTC type 3 temperature sensor can be connected to terminal 8 and 9 and selected by jumper J2. Full or limited set point adjustment can be set with jumper J3. If using the thermostats for DX cooling an extended delay can be selected with jumper J4.

GENERAL SPECIFICATIONS

Operating voltage: 24Vac, 50/60Hz, +/- 20%

Power consumption: Maximum 3Va

Control output: 24Vac, 5Amp

Switching: 1 °F (0.5 °C)

Sensing Element: 10k NTC type 3 Thermistor

Connection terminals: Use solid wire 22 AWG to 14 AWG

Digital Display: Temperature in °C or °F, set point, heating or cooling output

Set point range standard: 50-90°F in 1°F, 10-32°C in 0.5°C resolutions

Set point range limited: 65-75°F in 1°F, 18-24°C in 0.5°C resolutions

Operating temperature: 32-122 °F or 0-50 °C, < 95% RH

Housing cover/base color: Cover white, base grey



Wall mounting plate: Color white, mounting holes for European and North American standards, fits 2 x 4 electric box

Optional: External 10K NTC type 3 thermistor

Shipping weight: 0.5Lbs (0.225 Kg)

Agency approval: Conforms to CE/ROHS requirements
Class 2 as per UL/CSA

ON DEMAND OUTPUT

	Terminal 4 - 5	Terminal 1	Terminal 2
A = Heat Mode 	Terminal Open	24 Vac	0 Vac
B = Cooling Mode 	Terminal Closed	24 Vac	0 Vac

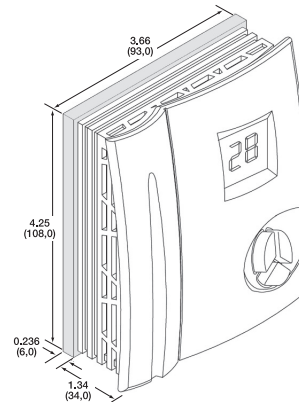
Quality, affordable electronic room thermostat with digital display from Spartan



JUMPER SELECTIONS



Pole	ON	OFF
1	°F Scale	°C Scale
2	External sensor	Internal sensor
3	Normal temperature range	Limited temperature range
4	Long delay - 4 minutes	No delay

IMPORTANT:
After a setting change, the thermostat must be powered off for the changes to take effect.



Changing the Set Point

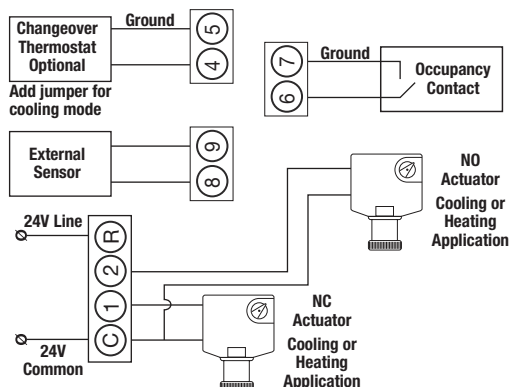
To change set point use the increase or decrease keys. LCD display will illuminate after pressing hand key.

-  When the thermostat is in heating mode a thermometer will appear in the display. It will flash when there is a demand for heat.
-  When the thermostat is in cooling mode a snowflake will appear in the display. It will flash when there is a demand for cooling.

On Power Failure

The set-point will remain in the memory.

WIRING DIAGRAM

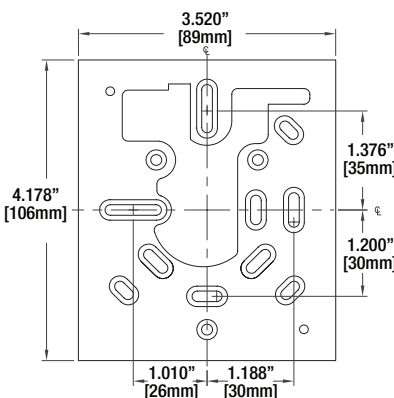


Installation:

Thermostats can be installed on a standard 20-20 2X4 electric box, or directly on the flat wall surface, and away from the heat source.

Do not expose to water. This product must not be used outside of the specified applications. Installation should only be carried out by a licensed and trained installer. All local regulations and codes must be followed, and complied with, during the installation of this product.

MOUNTING DIMENSIONS



COVER REMOVAL

To remove the cover simply remove the screws at the bottom of the unit with a screwdriver (1 and 2). The cover then is removed by pulling it out and then up (3 and 4).

