

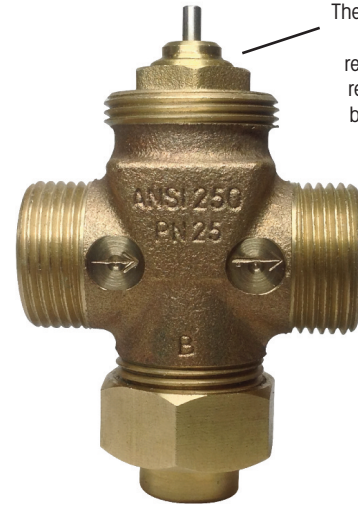


V222 NORMALLY CLOSED 2 WAY UNION VALVE BODY with 1/2" and 3/4" Union Connections on both ports

Spartan Peripheral Devices 2 way V222 is a normally closed valve body available in 1.0, 2.0, and 3.0 CVs. It will accept 1/2" or 3/4" NPT/BSP or solder type unions, on both ports.

The commercial application globe valve bodies utilize low zinc anti dezincification bronze and are guaranteed for the life of the building. Inline replaceable and interchangeable packing are designed for hot or chilled water and 50% glycol with EC type, or for low pressure steam with RV type.

To be used in normally closed applications with Spartan pneumatic MP5100, MP5300 and MP5400 actuators.



The internal cartridge is removable and replaceable without removing the valve body from the line.

GENERAL SPECIFICATIONS

Body Material: Low zinc bronze, alloy C84400

Pressure Rating: ANSI 250 (400 PSI at 32°F to 150°F, 250 PSI at 250° F) PN25

Max. Test Pressure: 1200 PSI (81 bar)

Max. Δ Pressure: 50 PSI (3.5 bar) can be exceeded but with possible water noise

Select Spartan alternative union types from dimensional tables. You can mix union's size or type on the same valve body.

INTERNALS SPECIFICATIONS

Rangeability: 100:1

Stem Travel: 5/32" (4mm)

Stem Position: UP = valve closed (default position), DOWN = valve open

Valve Seat: Intergal bronze

Valve Disc/Plunger: EDPDM/Brass

Valve Spring: Stainless steel

Packing: Double EPDM

Valve Stem: 303 Stainless Steel burnished mirror finish

Water rated: 250°F, 120°C with EC type packing cartridge

Steam Rated: 15psi max. with RV type packing cartridge

Available CVs: 1.0, 2.0, 3.0

DIMENSIONS

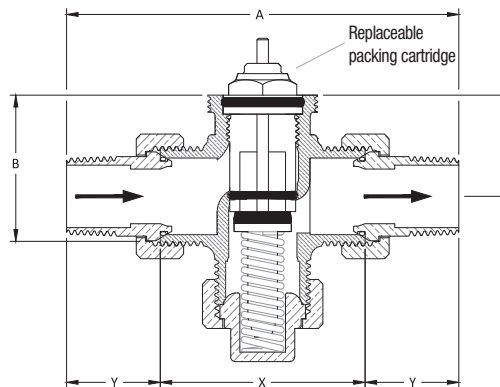
Select type of union to include with valve body:

V222-12N for 1/2" threaded union.

V222-34N for 3/4" threaded union.

V222-12S for 1/2" solder union.

V222-34S for 3/4" solder union.



DIMENSIONS FOR 1/2" ASSEMBLY (inches)

Standard V222-12N assembly with 1/2" threaded union					
A	x	y	B	C	UNION TYPE
4-1/4	2-1/4	1	1-5/8	1-1/8	AV6112

V241-12N 1/2" valve body with Optional Union (order separately)					
A	x	y	B	C	UNION TYPE
5-1/4	2-1/4	1-1/2	1-5/8	1-1/8	AV6112D
5-3/4	2-1/4	2	1-5/8	1-1/8	AV6112E
6-1/4	2-1/4	2	1-5/8	1-1/8	AV6112F
6-3/4	2-1/4	2-1/4	1-5/8	1-1/8	AV6112G
7-1/4	2-1/4	2-1/2	1-5/8	1-1/8	AV6112H

Standard V222-12S assembly with 1/2" solder union (5/8" pipe)					
A	x	y	B	C	UNION TYPE
4-1/4	2-1/4	1	1-5/8	1-1/8	AV6312

DIMENSIONS FOR 3/4" VALVES (inches)

Standard V222-34N assembly with 3/4" threaded union					
A	x	y	B	C	UNION TYPE
5-1/4	2-3/4	1-1/4	2-1/4	1-1/8	AV6134

Standard V222-34S assembly with 3/4" solder union (7/8" pipe)					
A	x	y	B	C	UNION TYPE
6-3/4	2-3/4	2	2-1/4	1-1/8	AV6334

INSTALLATION AND FLOW DIRECTION

IMPORTANT:

When installing it is essential that the flow follows the arrow that is embedded into the valve body casting.

HOW TO ORDER

1. Choose your valve body.
2. Choose an actuator.

This product must not be used outside of the specified applications. Installation should only be carried out by a licensed and trained installer. All local regulations and codes must be followed, and complied with, during the installation of this product.

STEP 1 Choose a valve body	STEP 2 Choose a CV value	STEP 3 Choose an actuator
VE 222 12 N	EP 1.0	5300

ACTUATOR TYPE: select from MP5100, MP5300, MP5400

Cv Value: 1.0, 2.0, 3.0

Select packing type EC for water or RV for steam applications

N = threaded union, S = solder union, □ = no union (order optional union separately)

VALVE SIZE: 12 = 1/2", 34 = 3/4"

VALVE BODY TYPE: VE222 = 2 way union both ports

VALVE ASSEMBLY TYPE: Select P for Pneumatic