

TEI30 On/Off LCD Electronic Thermostat with 3 speed fan switch 24Vac

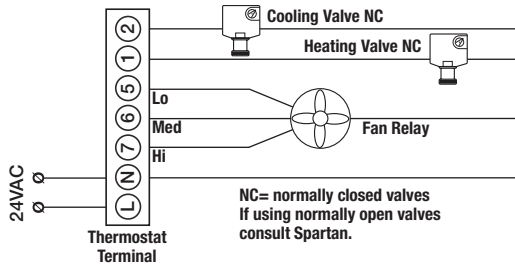
Description

Two position on / off, electronic room thermostat with digital display and set point adjustment. It is suitable for controlling a three speed fan with a Low/Medium/High switch as well as controlling a single heating or cooling valve, or other two position device. It maintains the room temperature with a Heat/Off/Cool switch which selects the valve into heating or cooling mode. In the off position the valve and the fan will be switched off. Jumper selectable between °C & °F scales (power must be switched off before the jumper selection is implemented). Optional: Non-adjustable speed fan. Can be ordered as TEI30-01. Fan can be wired internally. End-User cannot change speed fan.

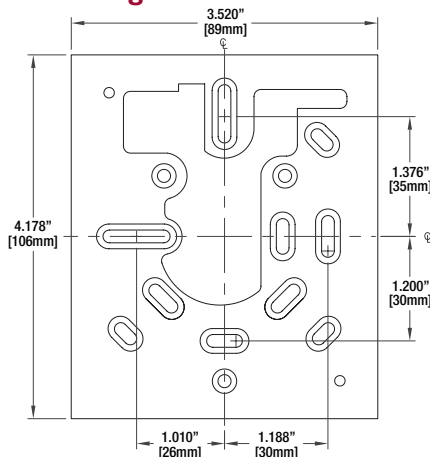
Specifications

- Operating voltage:** 24Vac, 50/60Hz, +/- 20%
- Power consumption:** Maximum 3Va
- Control output:** 24Vac, 1 Amp
- Switching:** 1 °F (0.5 °C)
- Sensing Element:** NTC Thermistor
- Connection terminals:** Use solid wire 22 AWG to 14 AWG
- Digital Display:** Temperature in °C or °F, set point, heating or cooling output
- Set point range:** 40-95°F in 1°F resolution
5-35°C in 0.5°C resolution
- Operating temperature:** 32-122 °F or 0-50 °C, < 95% RH
- Housing cover/base color:** Cover white, base grey
- Wall mounting plate:** Color white, mounting holes for European and North American standards, fits 2 x 4 electric box
- Shipping weight:** 0.5Lbs (0.225 Kg)
- Agency approval:** Conforms to CE requirements Class 2 as per UL/CSA

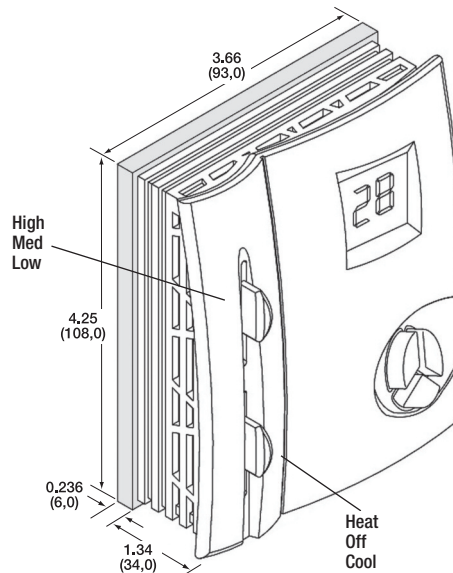
Wiring Diagram



Mounting Dimensions



Quality, affordable electronic room thermostat with digital display from Spartan



Changing the Set Point

To change the set point press the increase or decrease keys. Pressing the hand key will illuminate the LCD display and indicate the set point.

- ☀ When the thermostat is in heating mode a thermometer will appear in the display. It will flash when there is a demand for heat.
- ❄ When the thermostat is in cooling mode a snow flake will appear in the display. It will flash when there is a demand for cooling.

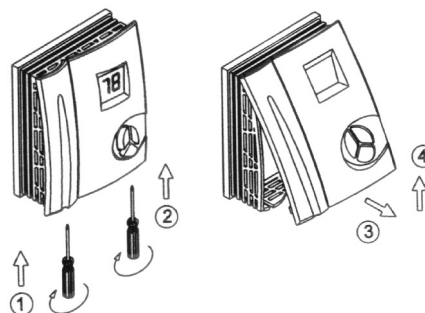
On Power Failure

The set-point will return to the factory default setting:
75°F/24°C Heating
70°F/20°C Cooling

Cover Removal

TEI30 Cover Removal Instructions

To remove the cover simply remove the screws at the bottom of the unit with a screwdriver (1 and 2). The cover then is removed by pulling it out and then up (3 and 4).



Disclaimer:

The installation and service should be performed by trained personnel. To avoid electric shock ensure the electrical source is switched off.

Installation:

Thermostats can be installed on a standard 20-20 2X4 electric box, or directly on the flat wall surface, and away from the heat source.

Do not expose to water.