

1
YEAR
WARRANTY
SPARTAN PERIPHERAL DEVICES

**2 WAY COMPACT MOTORIZED STAINLESS STEEL
Ball Valves 1 1/4", 1 1/2" and 2" sizes**

These unique SV series specialty valves are used for drinking water systems and agricultural applications. These unique floating ball valves require very low torque and can be controlled with a small compact actuator.

They can be ordered for Normally Open or Normally Closed applications by using a designated "O" or "C" in the part number (see How to Order).

TECHNICAL SPECIFICATIONS :

Valve Body:

Body Material:304 Stainless Steel
Valve Stem: Nickel Plated Brass
Valve Ball:304 Stainless Steel
Valve Seat: PTFE disc with backup ring
Valve Packing: Double O ring
..... with PTFE friction ring base
Close Off: 150psi and 100% tight shut off
Working Pressure: 150 PSI (10 Bar)
Media Temperature: 32°F to 200°F (0°C to 92°C)

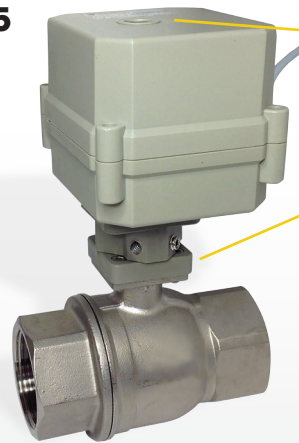
Actuators:

FLP - Fail Last Position
Capacitor Return Fail Safe - minimum 1A power for 60 secs to charge the capacitor
Rated Voltage: 24V AC or 24V DC
Power: Max 1000mA
Output Torque: 88in/lb (10 NM)
Housing Enclosure: NEMA 4 (IP 65)
Connection: 12" (305mm) PVC Cable
Ambient Temperature: 40°F to 120°F
..... (5°C to 50°C)
Travel Time: 6 Seconds
Noise Level: 55 dB
Standard Features: Position Indication
..... Quick Clip Mounting

Agency Approvals:

Conforms to CE EN 60730
ESC Certificate EN60534-2-3:1998
Quality Assurance System 97/23/EC
ISO9093-1-1997
Certified to NSF/ANSI Standard 61
One year warranty.

**NEMA 4 / IP65
HOUSING**



Position indicator window

Quick connect linkage



ACTUATORS

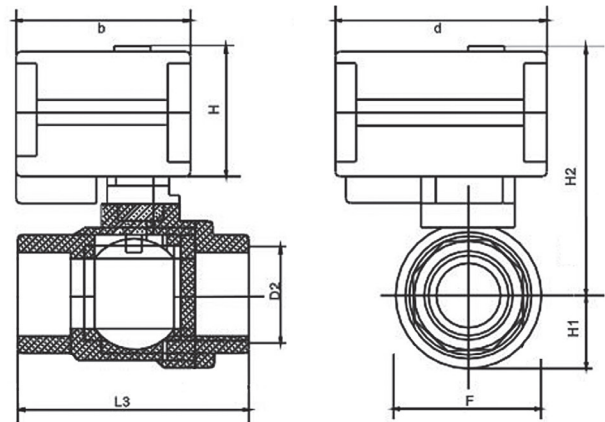
Part No:	24V DC	24V AC	88 in/lb	Capacitor Return Fail Safe Circuit No D	FLP 2 Point Control Circuit No E	Position Indicator	Aux. Switch
MS1320S	X	X	X	X		X	X
MS1330	X	X	X		X	X	
MS1330S	X	X	X		X	X	X

FULL BORE BALL VALVE BODIES

Connection	Part No	Size	CV	L3	F	H1	H2	b	d	Weight lbs
F x F North American	SV202N-114	1 1/4"	CV103	4	1 7/8	1 1/4	5 1/16	2 13/16	3 13/32	3.45
NPT (National Pipe Thread)	SV202N-115	1 1/2"	CV260	4 1/2	2	1 7/16	6 3/8	2 13/16	3 13/32	4.85
	SV202N-200	2"	CV480	5	2 5/8	1 3/4	6 11/16	2 13/16	3 13/32	4.90

All dimensions in inches

DIMENSIONS



HOW TO ORDER

Use the code on the right to build your SV series ball valve and actuator to your exact specification, quickly and easily.

Note:

The installation and service should be performed by trained personnel. To avoid electrical shock ensure electric source is switched off before disconnecting the wires.



OPTIONS: **C** = Normally Closed, **O** = Normally Open

MOTOR TYPE: See table

VALVE SIZE: See table

PIPING CONNECTION: N = NPT FXF

VALVE BODY TYPE: 202 = 2 way Stainless Steel

SV: Ball Valve