



2 WAY COMPACT MOTORIZED STAINLESS STEEL Ball Valves 1 1/4", 1 1/2" and 2" sizes

These unique SV series specialty valves are used for drinking water systems and agricultural applications. These unique floating ball valves require very low torque and can be controlled with a small compact actuator.

They can be ordered for Normally Open or Normally Closed applications by using a designated "O" or "C" in the part number (see How to Order).

TECHNICAL SPECIFICATIONS :

Valve Body:

Body Material:304 Stainless Steel
 Valve Stem: Nickel Plated Brass
 Valve Ball:304 Stainless Steel
 Valve Seat: PTFE disc with backup ring
 Valve Packing: Double O ring
 with PTFE friction ring base
 Close Off: 150psi and 100% tight shut off
 Working Pressure: 150 PSI (10 Bar)
 Body Rating: 290PSI at 21° (PN20)
 Media Temperature: 32°F to 200°F (0°C to 92°C)

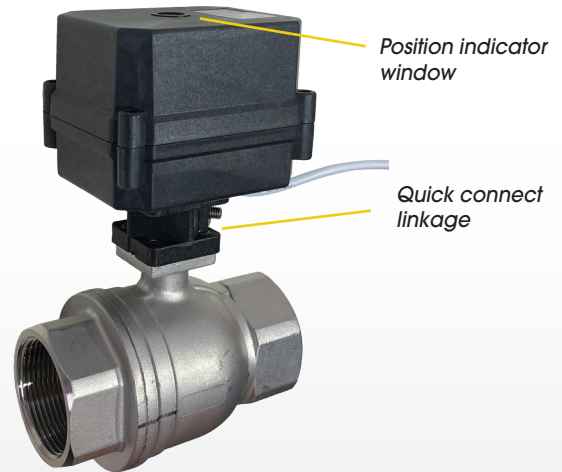
Actuators:

FLP - Fail Last Position
 Capacitor Return Fail Safe - minimum 1A power for 60 secs to charge the capacitor
 Rated Voltage: 24V AC or 24V DC
 Power: Max 1000mA
 Output Torque: 88in/lb (10 NM)
 Housing Enclosure: NEMA 4 (IP 65)
 Connection: 12" (305mm) PVC Cable
 Ambient Temperature: 40°F to 120°F
 (5°C to 50°C)
 Travel Time: 6 Seconds
 Noise Level: 55 dB
 Standard Features: Position Indication
 Quick Clip Mounting

Agency Approvals:

Conforms to CE EN 60730
 ESC Certificate EN60534-2-3:1998
 Quality Assurance System 97/23/EC
 ISO9093-1-1997
 Certified to CSA B125.3 (SA45385)
 Complies with NSF/ANSI/CAN 61/
 ANSI 372 <MH65302>
 One year warranty.

NEMA 4 / IP65 HOUSING



Note: The installation and service should be performed by trained personnel. To avoid electrical shock ensure source is switched off before disconnecting the wires.

ACTUATORS

Part No:	24V DC	24V AC	88 in/lb	Capacitor Return Fail Safe Circuit No D	FLP 2 Point Control Circuit No E	Position Indicator	Aux. Switch
MS1320S	X	X	X	X		X	X
MS1330S	X	X	X		X	X	X

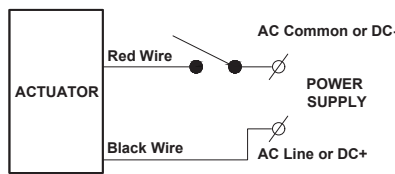
FULL BORE BALL VALVE BODIES

Connection	Part No	Size	CV	L3	F	H1	H2	b	d	Weight lbs
F x F North American NPT (National Pipe Thread)	SV202N-114	1 1/4"	CV103	4	1 7/8	1 1/4	5 1/16	2 13/16	3 13/32	3.45
	SV202N-115	1 1/2"	CV260	4 1/2	2	1 7/16	6 3/8	2 13/16	3 13/32	4.85
	SV202N-200	2"	CV480	5	2 5/8	1 3/4	6 11/16	2 13/16	3 13/32	4.90

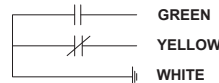
All dimensions in inches

WIRING DIAGRAM

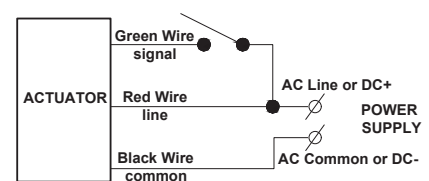
MS 1320S



AUXILIARY SWITCH



MS1330S



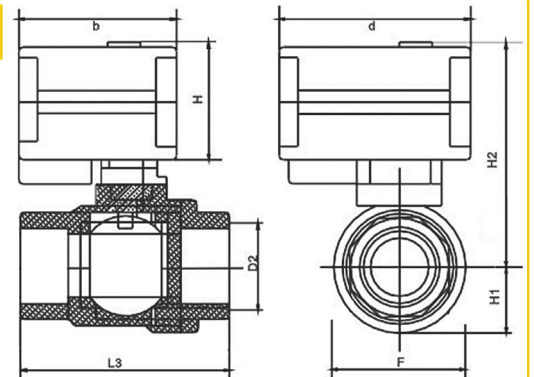
AUXILIARY SWITCH



HOW TO ORDER

VALVE BODY | ACTUATOR
SV 202 N - 115 - MSxxxx - C

DIMENSIONS



OPTIONS: C = Normally Closed,
 O = Normally Open

MOTOR TYPE: See table

VALVE SIZE: See table

PIPING CONNECTION: N = NPT FXF

VALVE BODY TYPE: 202 = 2 way Stainless Steel

SV: Ball Valve