



### 2 WAY COMPACT MOTORIZED STAINLESS STEEL Ball Valves 1 1/4", 1 1/2" and 2" sizes

These unique SV series specialty valves are used for drinking water systems and agricultural applications. These unique floating ball valves require very low torque and can be controlled with a small compact actuator.

They can be ordered for Normally Open or Normally Closed applications by using a designated "O" or "C" in the part number (see How to Order).

#### TECHNICAL SPECIFICATIONS :

##### Valve Body:

Body Material: ..... 304 Stainless Steel  
 Valve Stem: ..... Nickel Plated Brass  
 Valve Ball: ..... 304 Stainless Steel  
 Valve Seat: ..... PTFE disc with backup ring  
 Valve Packing: ..... Double O ring  
 ..... with PTFE friction ring base  
 Close Off: ..... 150psi and 100% tight shut off  
 Working Pressure: ..... 150 PSI (10 Bar)  
 Media Temperature: 32°F to 200°F (0°C to 92°C)

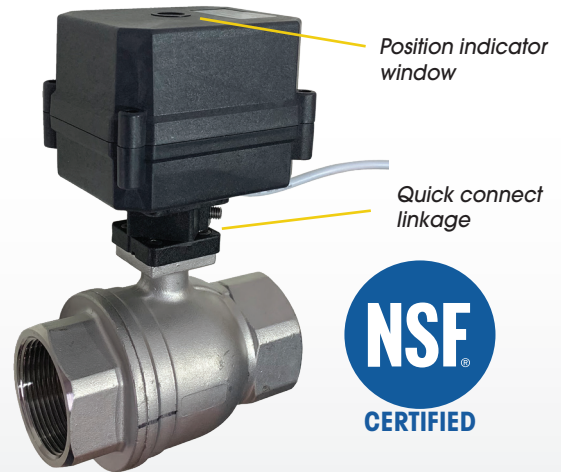
##### Actuators:

FLP - Fail Last Position  
 Capacitor Return Fail Safe - minimum 1A power for 60 secs to charge the capacitor  
 Rated Voltage: ..... 24V AC or 24V DC  
 Power: ..... Max 1000mA  
 Output Torque: ..... 88in/lb (10 NM)  
 Housing Enclosure: ..... NEMA 4 (IP 65)  
 Connection: ..... 12" (305mm) PVC Cable  
 Ambient Temperature: ..... 40°F to 120°F  
 ..... ( 5°C to 50°C)  
 Travel Time: ..... 6 Seconds  
 Noise Level: ..... 55 dB  
 Standard Features: ..... Position Indication  
 ..... Quick Clip Mounting

##### Agency Approvals:

Conforms to CE ..... EN 60730  
 ESC Certificate ..... EN60534-2-3:1998  
 Quality Assurance System ..... 97/23/EC  
 ISO9093-1-1997  
 Certified to ..... NSF/ANSI Standard 61  
 ..... CSA B125.3 (SA45385)  
 One year warranty.

#### NEMA 4 / IP65 HOUSING



**Note:** The installation and service should be performed by trained personnel. To avoid electrical shock ensure source is switched off before disconnecting the wires.

#### ACTUATORS

Part No:	24V DC	24V AC	88 in/lb	Capacitor Return Fail Safe Circuit No D	FLP 2 Point Control Circuit No E	Position Indicator	Aux. Switch
MS1320S	X	X	X	X		X	X
MS1330S	X	X	X		X	X	X

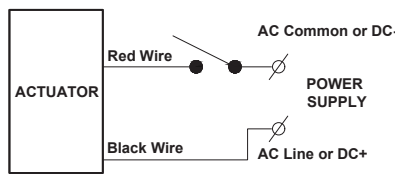
#### FULL BORE BALL VALVE BODIES

Connection	Part No	Size	CV	L3	F	H1	H2	b	d	Weight lbs
F x F North American NPT (National Pipe Thread)	SV202N-114	1 1/4"	CV103	4	1 7/8	1 1/4	5 1/16	2 13/16	3 13/32	3.45
	SV202N-115	1 1/2"	CV260	4 1/2	2	1 7/16	6 3/8	2 13/16	3 13/32	4.85
	SV202N-200	2"	CV480	5	2 5/8	1 3/4	6 11/16	2 13/16	3 13/32	4.90

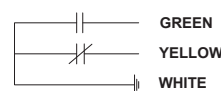
All dimensions in inches

### WIRING DIAGRAM

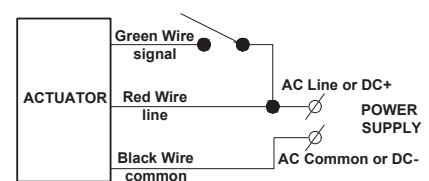
#### MS 1320S



#### AUXILIARY SWITCH



#### MS1330S



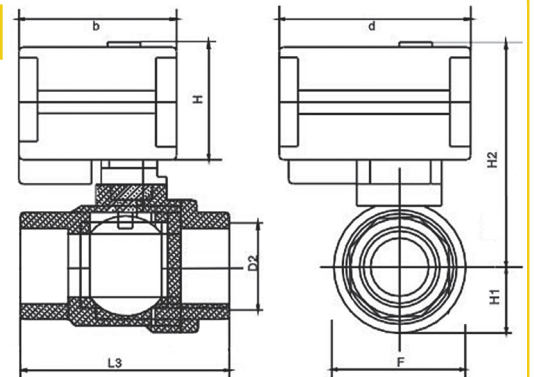
#### AUXILIARY SWITCH



### HOW TO ORDER

VALVE BODY | ACTUATOR  
**SV 202 N - 115 - MSxxxx - C**

### DIMENSIONS



OPTIONS: **C** = Normally Closed,  
**O** = Normally Open

MOTOR TYPE: See table

VALVE SIZE: See table

PIPING CONNECTION: **N** = NPT FXF

VALVE BODY TYPE: **202** = 2 way Stainless Steel

**SV:** Ball Valve