



## 2 WAY COMPACT MOTORIZED BALL VALVES

stainless steel 1/2", 3/4" and 1" sizes with manual override

These unique SV series specialty valves are used for drinking water systems and agricultural applications. These unique floating ball construction type ball valves require very low torque and can be controlled with a small compact actuator.

The Quick Connect feature allows for easy actuator installation, or to change from Normally Open to Normally Closed applications by using a designated 'O' or 'C'.

### TECHNICAL SPECIFICATIONS :

#### Valve Body:

Body Material: .....304 Stainless Steel  
 Valve Stem: ..... Nickel Plated Brass  
 Valve Ball: .....304 Stainless Steel  
 Valve Seat: ..... PTFE disc with backup ring  
 Valve Packing: ..... Double O ring  
 ..... with PTFE friction ring base  
 Close Off: ..... 150psi and 100% tight shut off  
 Working Pressure: ..... 150 PSI (10 Bar)  
 Media Temperature: . 35°F to 194°F (2°C to 90°C)

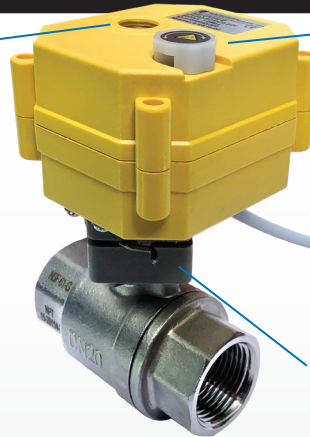
#### Actuators:

FLP - Fail Last Position  
 Capacitor Return Fail Safe - minimum power on time required 15 secs for 24V  
 Rated Voltage: ..... 24VAC  
 ..... or 9V to 24V DC  
 Power: ..... Max 5 watts  
 Output Torque: ..... 17in/lb (2 NM)  
 Enclosure: ..... NEMA 4 (IP 65)  
 Connection: ..... 19.5" (500mm) PVC Cable  
 Ambient Temperature: ..... 40°F to 120°F  
 ..... (5°C to 50°C)  
 Travel Time: ..... <5 seconds  
 Noise Level: ..... 55 dB  
 Standard Features: ..... Position Indication  
 ..... Quick Connect Mounting

#### Agency Approvals:

Conforms to CE ..... EN 60730  
 ESC Certificate ..... EN60534-2-3:1998  
 Quality Assurance System ..... 97/23/EC  
 ISO9093-1-1997  
 Certified to ..... NSF/ANSI Standard 61  
 ..... CSA B125.3 (SA45385)  
 One year warranty.

Position indicator window



In case of an electrical supply failure it is possible to operate the actuator manually.

1. Power must be in off position when manual override is used.
2. Gently pull up the knob about 1/8", then turn the knob left or right to open or close the valve, as per the position indicator.
3. To finish using manual override, press down the knob to resume normal electric operation.

Actuator with "Quick Connect" feature for easy installation in difficult situations.

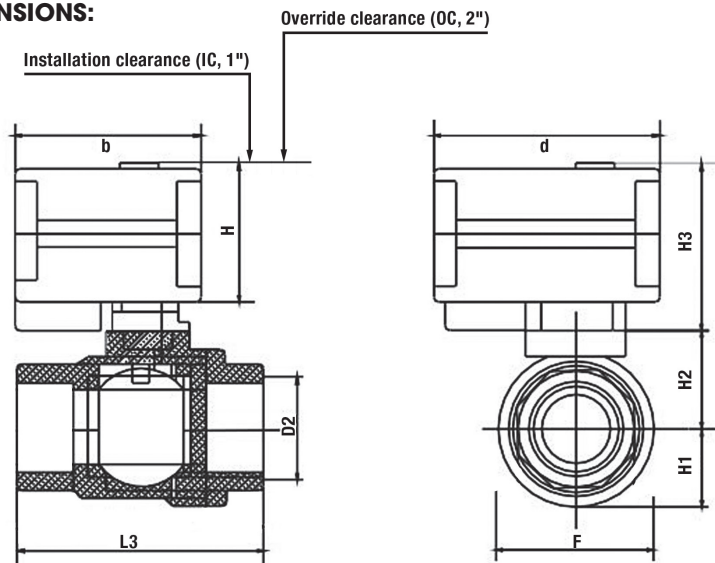
### ACTUATORS

Part No:	24V AC	9-24 VDC	17 in/lb	Capacitor Return Fail Safe Circuit A	FLP 2 Point Control 3 wire Circuit C	Pos. Ind. & Manual Override
MS1630	X		X		X	X
MS1620	X	X	X	X		X

### VALVE BODIES All dimensions in inches

Connection	Part No	Size	Cv	L3	F	H1	H2	H3	b	d	Weight lbs
F x F North American NPT	SV402N-12	1/2"	23	2 1/2	1 3/8	3/4	1	3 1/8	2 1/4	2 3/8	1.02
	SV402N-34	3/4"	55	2 7/8	1 5/8	7/8	1 1/8	3 1/8	2 1/4	2 3/8	1.24
	SV402N-10	1"	95	3 1/4	1 7/8	1	1 1/4	3 1/8	2 1/4	2 3/8	1.56

### DIMENSIONS:



## HOW TO ORDER

VALVE BODY | ACTUATOR  
**SV 402 N-12-1620-0**

**LINKAGE POSITION:**  
 1630 On Signal O=Open, C=Closed  
 1620 O=Fail Open, C=Fail Closed

**OPTIONS:** 0=manual override

**CONTROL:** 2=circuit A, 3=circuit C

**SERIES 6**

**ACTUATOR:** 9-24VAC/DC

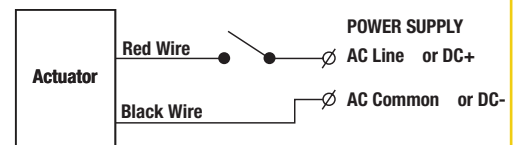
**VALVE SIZE:** 12=1/2", 34=3/4", 10 =1"

**PIPING CONNECTION:** N=NPT FxF

**VALVE BODY TYPE:** 402= 2 way Stainless Steel,

SV=Ball Valve

### CIRCUIT TYPE A



### CIRCUIT TYPE C

